



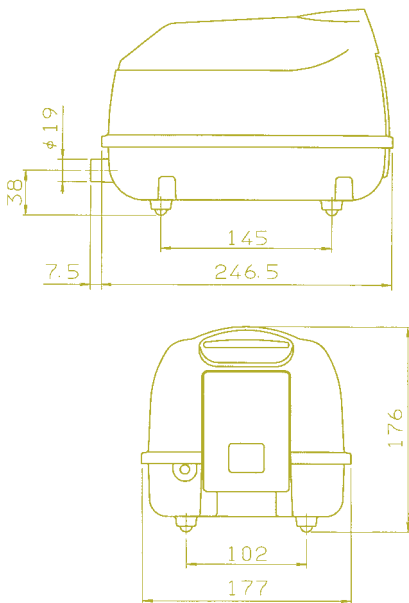
## SLL series

SLL-20 / SLL-30 / SLL-40 / SLL-50

### Product characteristics

- Integrated overload protection
- Connecting hose included in delivery

### Dimensions



### Technical data

Model			SLL-20	SLL-30	SLL-40	SLL-50
Air flow <sup>1)</sup>	l/min	0 mbar	52	60	68	75
		50 mbar	44	52	60	68
		100 mbar	36	43	53	61
		150 mbar	28	34	45	53
		200 mbar	18	26	36	44
Voltage	VAC		230	230	230	230
Power consumption	W	180 mbar	18	27	41	53
Frequency	Hz		50	50	50	50
Noise level	dB(A)		30	32	33	37
Dimensions	mm	L x W x H	254 x 177 x 176			
Connection	mm	Ø outside	19	19	19	19
Net weight	kg		4.5	4.5	4.5	4.5

<sup>1)</sup> Product performance may vary +/- 10% from performance curves

### Performance data

